



## 6 In 2 Out 6 String Ip66 DC Metal PV Combiner Box

As the professional manufacturers, ADELS® would like to provide you 6 In 2 Out 6 String Ip66 DC Metal PV Combiner Box. Provide professional after-sales service and the right price, looking forward to cooperation.

ADELS® is 6 In 2 Out 6 String Ip66 DC Metal PV Combiner Box manufacturers and suppliers in China who can wholesale 6 In 2 Out 6 String Ip66 DC Metal PV Combiner Box.

### 6 In 2 Out 6 String Ip66 DC Metal PV Combiner Box

### 6 In 2 Out 6 String Ip66 DC Metal PV Combiner Box Parameter

Electrical Characteristics	
Type	FMS PV6/2(FMS PVM6/2)
Input	6 string
Output	2 string
Maximum Voltage	DC 1000V
MAX DC Short Circuit Current Per Input(Isc)	15A(Changeable)
Maximum Current Output	32A
Environment	
Operating Temperature	-25℃~+55℃
Humidity	99%
Altitude	2000M
Installation	Wall Mounting
Enclosure	
<b>FMS-24</b>	
Material Type	Stainless steel/Stainless steel spray/Iron material spray
Degree of Protection	IP66
Dimension(WxHxD)	460×350×140mm(1.2mm/1.2mm)
Cable input entry	Pg9 Cable Gland4-8mm2/4mm2MC4 connector
Output Cable Gland	Pg21 Cable Gland(2 holes)
DC Isolator Switch	<b>FMPV32-L2</b>

### Wenzhou Feimai Electric Co., Ltd.

**Address:**No.75 Xinguang Avenue, Xinguang Industrial Zone, Liushi, Yueqing City, Zhejiang Province, P.R.China.

**Phone:**+86-13968753197

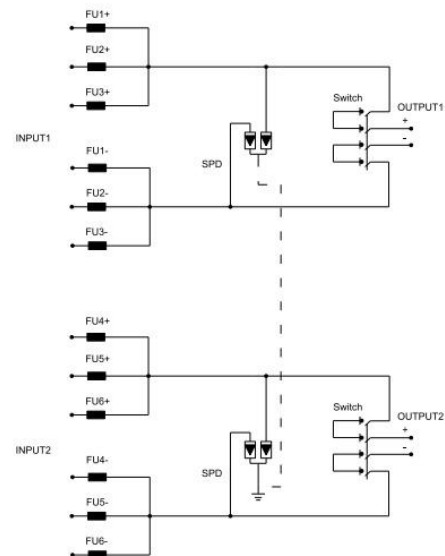
**Fax:**+86-577-62797770

**Tel:**+86-577-62797750

**E-mail:**sale@adels-solar.com

Rated Insulation Voltage(Ui)	DC 1000V
Rated Current(Ie)	32A
Category	DC-PV2,DC-PV1,DC-21B
Standard Compliance with	IEC60947-3
Certification	TUV, CE,CB,SAA,ROHS
DC Surge Protection Device	<b>FMDC-T2/2</b>
Max Operation Voltage(Ucpv)	DC 1000V
Standard Compliance with	EN 61643-31 Type2
Maximum Discharge Current	40KA
Certification	TUV, CE,CB,ROHS
DC Fuse Holder	<b>FMR1-32</b>
LED Indicator	Yes
Rated Working Voltage	DC 1000V
Fuse Link	10×38mm 15A
Certification	TUV, CE,CB,ROHS

## 6 In 2 Out 6 String Ip66 DC Metal PV Combiner Box Schematic



### Wenzhou Feimai Electric Co., Ltd.

**Address:**No.75 Xinguang Avenue, Xinguang Industrial Zone, Liushi, Yueqing City, Zhejiang Province, P.R.China.

**Phone:**+86-13968753197

**Fax:**+86-577-62797770

**Tel:**+86-577-62797750

**E-mail:**sale@adels-solar.com